

Operation & Maintenance Manual

PC200, 210, 220-3 PC240, 280-3

HYDRAULIC EXCAVATOR

SERIAL NUMBERS	PC200,200LC	- 33763
	PC210,210LC	- K10005
	PC220,220LC	- 23303
	PC240,240LC,240NLC	- 10093 AND UP
	PC240,240LC,240NLC	- K10093
	PC280,282NLC	- 10001
	PC280LC,280NLC	- K10001



— WARNING —

Unsafe use of this machine may cause serious injury or death. Operators and maintenance personnel must read this manual before operating or maintaining this machine. This manual should be kept inside the cab for reference and periodically reviewed by all personnel who will come into contact with the machine.

KOMATSU

CONTENTS

OPERATION	
GENERAL LOCATIONS AND SPECIFICATIONS	4
INSTRUMENTS AND CONTROLS	6
CHECK BEFORE STARTING	39
OPERATING YOUR MACHINE	44
INVERSION AND REPLACEMENT OF BUCKET	57
HANDLING THE TRAPEZOIDAL BUCKET	58
USING THE EXTENSION ARM	59
HANDLING THE CLAMSHELL BUCKET	59
COLD WEATHER OPERATION	60

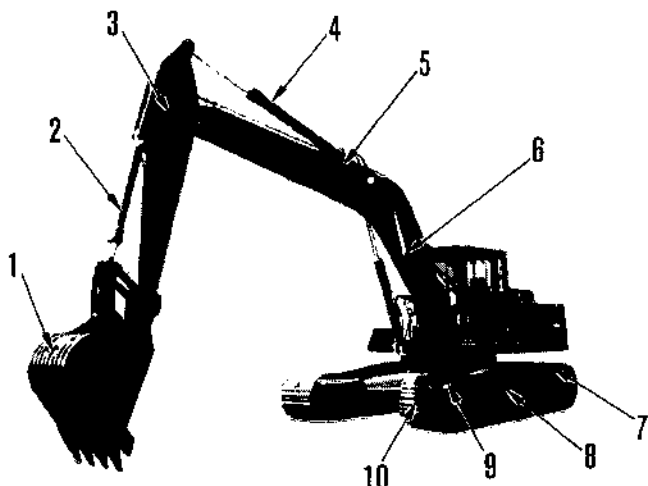
MAINTENANCE	
PERIODIC MAINTENANCE	65
MAINTENANCE TABLE	66
OIL FILLER AND LEVEL GAUGE POSITIONS	69
EVERY 100 HOURS SERVICE	70
INITIAL 250 HOURS SERVICE	74
EVERY 250 HOURS SERVICE	74
EVERY 500 HOURS SERVICE	80
EVERY 1000 HOURS SERVICE	83
EVERY 2000 HOURS SERVICE	86
EVERY 4000 HOURS SERVICE	91
WHEN REQUIRED	92
ADJUSTMENT	105
TROUBLE SHOOTING GUIDE	106
SERVICE METER	110
MACHINE AND ENGINE SERIAL NUMBERS	111
FUEL, COOLANT AND LUBRICANTS	112

P-02963

GENERAL LOCATIONS AND SPECIFICATIONS

GENERAL LOCATIONS AND SPECIFICATIONS

- | | |
|--------------------|------------------|
| 1. Bucket | 6. Boom cylinder |
| 2. Bucket cylinder | 7. Sprocket |
| 3. Arm | 8. Track frame |
| 4. Arm cylinder | 9. Idler |
| 5. Boom | 10. Track shoe |



MACHINE MODEL		
PERFORMANCE	Bucket capacity (m ³)	[SAE]
		[CECE]
	Travel speed (km/h)	
	Swing speed (rpm)	
OPERATING WEIGHT (kg)		
ENGINE	Model	
	Flywheel horsepower (HP) [Rated rpm]	

NOTE: Specifications are subject to change without notice.